



THE MOUSE VALVE SERIES

Clippard Functional Simplicity

- The design of Clippard electronic valves is a deceptively simple arrangement with a minimum of operating parts, and remarkably straight forward low power operation.
- The Clippard “spider” is the only moving part and its motion to operate the valve is a mere 0.007” travel.
- Low voltage D.C. inputs, signals from simple manual switching up to computer directed systems, move the spider in extremely fast response time . . . 5 to 10 milliseconds.
- The unit uses extremely low power (0.67 watts at the rated voltage) and is cool running. The valves are light in weight, compact in physical size and mount easily in space-saving packages.



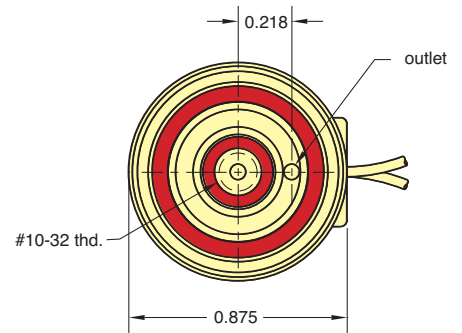
Quick Connect

Clippard ET valves feature spade lugs for simple, quick secure low voltage connections. Wire crimp-on spade lug connectors are available separately to adapt electronic wiring where necessary. Clippard original EV type valves are available in popular voltages with 18” wire leads. The EC model utilizes a 0.025” square pin connector.



Easy Mounting

The complete line of EC, EV, ET and EW electronic valves are available with two mounting options. Standard base models have two 6-32 threaded, 7/32” deep mounting holes. Manifold models are equipped with a bottom stud, 5/32” long with #10-32 thread, which fits Clippard standard and special manifolds, accessory valves and subplates. Spanner holes in the valve body permit tightening.



CUSTOM SOLUTIONS

If you need a product that fits your application perfectly, Clippard has the capability to design or modify one of its products to suit your exact needs. We understand that a standard catalog product may be close but not be exactly what you need. Let us know YOUR need, and we will help to find YOUR Solution!

CUSTOMer solutions



Clippard's Electronic Valves are incredibly flexible from a production standpoint. Just let us know what you need.

- Custom Voltage
- Custom Flow Rate
- Custom Max Pressure/ Vacuum

Tight Assemblies Cartridge design is desirable for integrating valves into compact assemblies. This EVP proportional valve is calibrated to meet the customers flow range and maintain “zero” leak rate, and is incorporated into the OEM’s manifold.



Clippard Integrated Solutions offer optimized pneumatic system design to increase performance, reduce cost, and make your job easier.

